

XLED PRO 240 S

V2 warm white black
 EAN 4007841 068110
 Article number 068110



LED	3000 K								
30 years (0 4,5h / day)	3000K warm-white	infrared sensor 240°	max. 10 m	IP44	2 - 2000 lux	10 sec - 15 min	Light source not exchangeable	Control gear not exchangeable	networkable via cable

Function description

Day-bright illumination throughout: the XLED PRO 240 S sensor-switched outdoor floodlight. With fully swivelling LED flat panel and opal diffuser. 2124 lm, 3000 K, 19,3 W. With a 240° infrared sensor for reliable motion detection over a reach of up to 12 m.

Technical specifications

Dimensions (L x W x H)	161 x 180 x 223 mm
With lamp	Yes, STEINEL LED system
With motion detector	Yes
Manufacturer's Warranty	5 years
Settings via	Potentiometers
Version	warm white black
PU1, EAN	4007841068110
Application, place	Outdoors
Application, room	outdoors, all round the building, terrace / balcony, courtyard & driveway
Includes corner wall mount	No
Installation site	wall, corner
Installation	Wall, corner, Surface wiring
Impact resistance	IK03
IP-rating	IP44
Protection class	II
Ambient temperature	from -20 up to 40 °C

Photo-cell controller	Yes
Cover material	shrouds
Luminous flux total product	2124 lm
Measured luminous flux (360°)	2124 lm
Total product efficiency	110 lm/W
Colour temperature	3000 K
Colour variation LED	SDCM3
Lamp	LED cannot be replaced
Service life LED L70B50 (25°)	> 60000 h
LED cooling system	HCMC (High Conductive Magnesium Composite)
Soft light start	No
Continuous light	selectable
Twilight setting	2 – 2000 lx
Time setting	10 s – 15 Min.
Basic light level function	No
Main light adjustable	No
Twilight setting TEACH	No

XLED PRO 240 S

V2 warm white black
EAN 4007841 068110
Article number 068110



Technical specifications

Housing material	HCMC
Cover material	Plastic, opal
Mains power supply	220 – 240 V / 50 – 60 Hz
Mounting height max.	6,00 m
Sneak-by guard	Yes
Capability of masking out individual segments	Yes
Electronic scalability	No
Mechanical scalability	No
Reach, radial	r = 3 m (19 m ²)
Reach, tangential	r = 12 m (302 m ²)

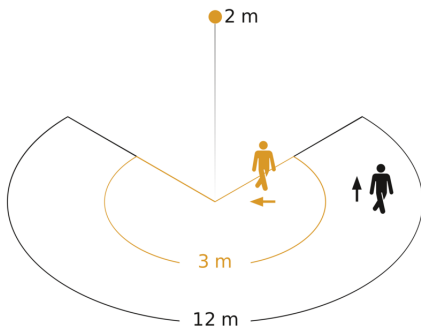
Interconnection	Yes
Interconnection via	Cable
Interconnection, number	maximum of 10 floodlights
Output	19,3 W
Colour Rendering Index CRI	= 82
Optimum mounting height	2 m
Detection angle	240 °
Product category	Sensor-switched LED floodlight
Energieeffizienzklasse Lichtquelle	E

XLED PRO 240 S

V2 warm white black
 EAN 4007841 068110
 Article number 068110

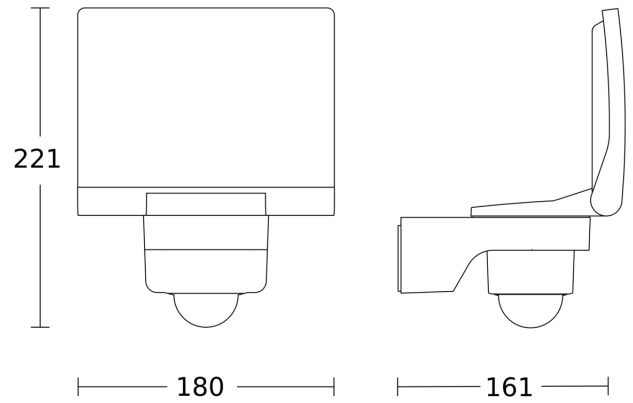


Detection Zone

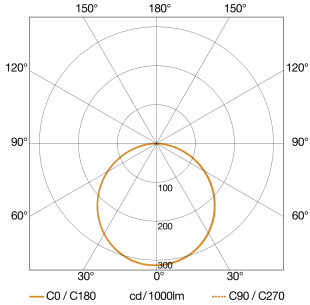


Possible mounting height: 1,80 m - 6,00 m
 Orange: radial
 Black: tangential

Dimension Drawing

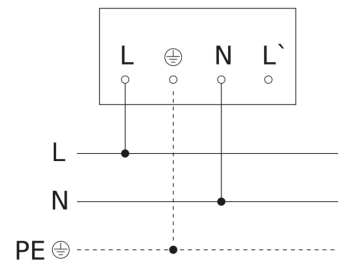


Light Distribution Curve



Output	19,3 W
With lamp	Yes, STEINEL LED system
Lamp	LED cannot be replaced
Measured luminous flux (360°)	2124 lm
Colour temperature	3000 K
LED cooling system	HCMC (High Conductive Magnesium Composite)

Master circuit diagram

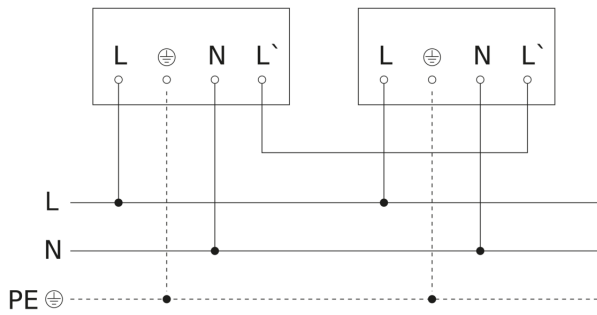


XLED PRO 240 S

V2 warm white black
EAN 4007841 068110
Article number 068110



Master/master interconnection circuit diagram



Master/slave interconnection circuit diagram

